



US006405817B1

(12) **United States Patent**  
**Huntsberger et al.**

(10) **Patent No.:** **US 6,405,817 B1**  
(45) **Date of Patent:** **Jun. 18, 2002**

- (54) **RIDE-ON VEHICLE WITH DIRECTION RESPONSIVE MECHANISM**
- (75) Inventors: **Kurt J. Huntsberger**, Chaffee; **Daniel J. Damon**, West Seneca, both of NY (US)
- (73) Assignee: **Mattel, Inc.**, El Segundo, CA (US)
- (\* ) Notice: Subject to any disclaimer, the term of this patent is extended or adjusted under 35 U.S.C. 154(b) by 0 days.

|             |           |                  |           |
|-------------|-----------|------------------|-----------|
| D262,385 S  | 12/1981   | Nakao et al.     | D21/78    |
| 4,562,893 A | * 1/1986  | Cunard           | 180/6.5   |
| 4,741,544 A | 5/1988    | Kassai           | 280/1.13  |
| 4,744,573 A | * 5/1988  | Most             | 280/1.13  |
| D306,748 S  | 3/1990    | Takahashi et al. | D21/74    |
| D379,407 S  | 5/1997    | Liu              | D6/351    |
| 5,697,621 A | * 12/1997 | Nazarian         | 280/1.165 |
| 5,845,724 A | * 12/1998 | Barrett          | 180/65.1  |
| 5,924,713 A | * 7/1999  | Li               | 280/270   |
| D423,603 S  | 4/2000    | Tasy             | D21/424   |
| D423,604 S  | 4/2000    | Yeh              | D21/433   |
| 6,120,048 A | * 9/2000  | Li               | 280/270   |
| 6,155,902 A | * 12/2000 | Kole, Jr. et al. | 446/230   |
| D436,386 S  | 1/2001    | Huntsberger      | D21/424   |
| D437,005 S  | 1/2001    | Huntsberger      | D21/424   |
| D441,808 S  | 5/2001    | Huntsberger      | D21/424   |
| D443,316 S  | 6/2001    | Huntsberger      | D21/424   |

(21) Appl. No.: **09/499,554**

(22) Filed: **Feb. 7, 2000**

(51) **Int. Cl.**<sup>7</sup> ..... **A63G 19/20**; B60K 1/00; A63H 17/36

(52) **U.S. Cl.** ..... **180/65.1**; 280/1.165; 280/1.202; 280/47.11; 446/460; 446/468

(58) **Field of Search** ..... 280/87.01, 87.043, 280/87.05, 47.11, 270, 282, 293, 263, 267, 771, 774, 1.13, 1.165, 1.201, 1.202, 1.16, 1.203, 288.4; 446/454, 460, 468

(56) **References Cited**

**U.S. PATENT DOCUMENTS**

|             |           |               |            |
|-------------|-----------|---------------|------------|
| 1,361,584 A | * 12/1920 | Howard        | 446/460    |
| 1,399,833 A | * 12/1921 | Wiebe         | 280/1.13   |
| 1,467,271 A | * 9/1923  | Gutekunst     | 280/7.1    |
| 1,773,567 A | * 8/1930  | Bradley       | 280/87.043 |
| 1,872,289 A | * 8/1932  | Hester        | 280/240    |
| D170,947 S  | * 11/1953 | Scheppele     | D21/428    |
| 3,370,861 A | * 2/1968  | Lenta         | 280/1.202  |
| 3,485,507 A | * 12/1969 | Christof      | 280/202    |
| 3,507,511 A | * 4/1970  | Seidel        | 280/47.11  |
| 3,592,486 A | * 7/1971  | Fox           | 280/209    |
| 3,794,352 A | * 2/1974  | Popp          | 280/209    |
| 3,827,719 A | * 8/1974  | Lohr et al.   | 280/259    |
| 3,935,916 A | * 2/1976  | Farraro       | 180/33 R   |
| 3,963,262 A | * 6/1976  | Estell        | 280/231    |
| 4,150,839 A | * 4/1979  | Tucker et al. | 280/771    |
| D252,652 S  | 8/1979    | Nakao et al.  | D21/74     |
| 4,265,461 A | * 5/1981  | Okubo         | 280/1.13   |

**OTHER PUBLICATIONS**

The Disney Kids Catalog, p. 16, 1991.  
The Disney Catalog, p. 30, 1989.

\* cited by examiner

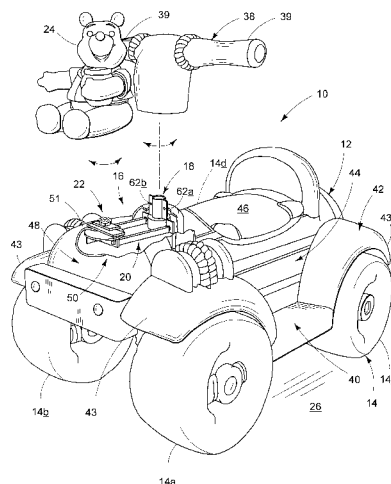
*Primary Examiner*—Brian L. Johnson  
*Assistant Examiner*—Bridget Avery

(74) *Attorney, Agent, or Firm*—Kolisich, Hartwell, Dickinson, McCormack & Heuser, PC

(57) **ABSTRACT**

A children's ride-on vehicle and associated rotation translation assembly are provided. The children's ride-on vehicle includes a body, a plurality of wheels rotatably mounted to the body, and at least one steerable wheel. The vehicle also includes a steering mechanism including a steering column and an associated steering handle. The steering handle is configured to be actuated by a rider sitting on a seat of the vehicle to thereby cause the steerable wheel to turn. The vehicle further includes a direction responsive member extending from the outer surface of the body, the direction responsive member being coupled to the steering mechanism through a linkage assembly and configured to rotate in response to movement of the steering handle.

**31 Claims, 5 Drawing Sheets**



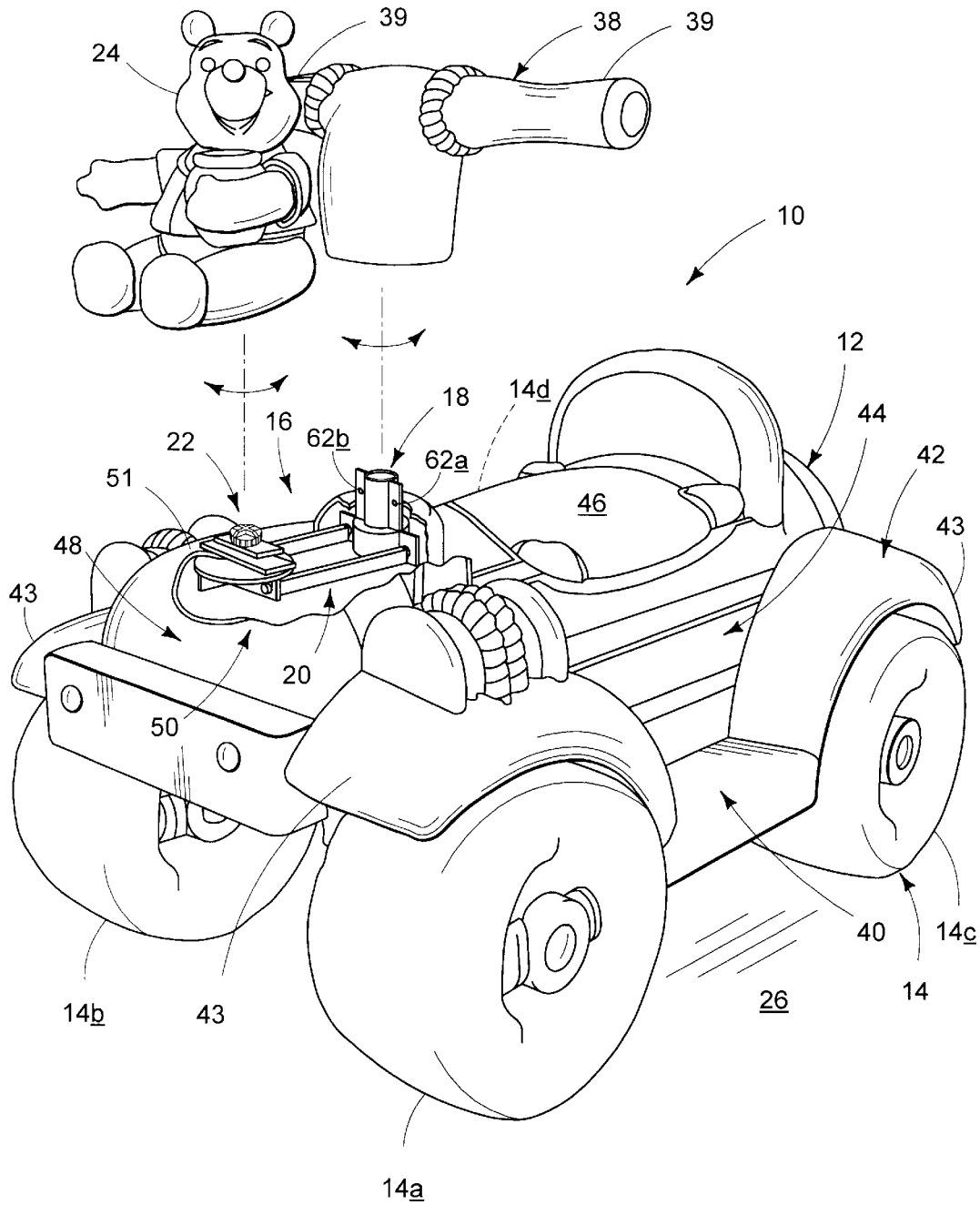
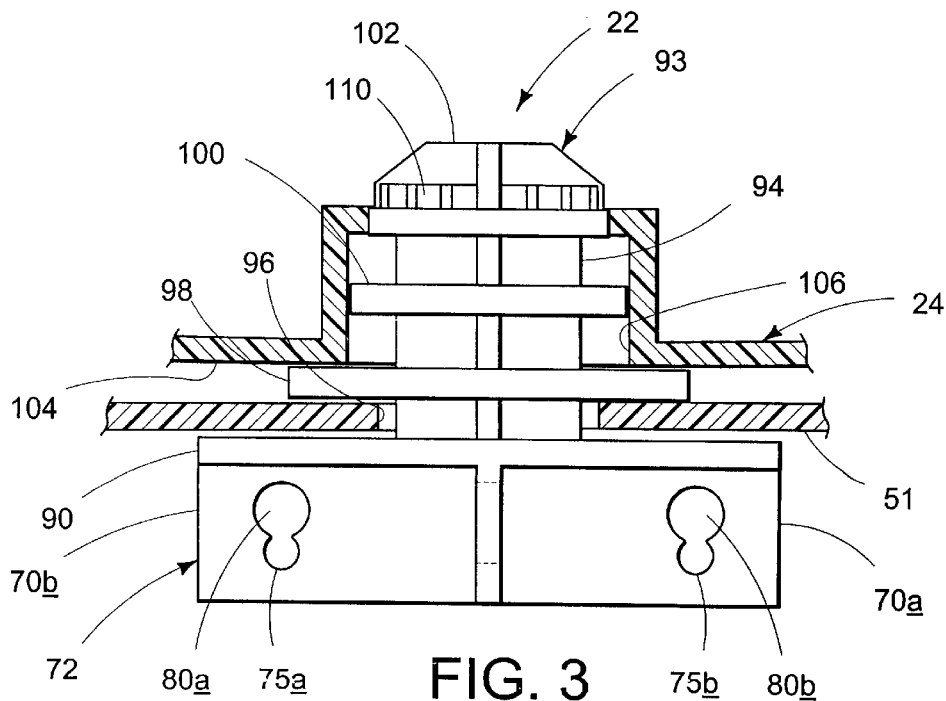
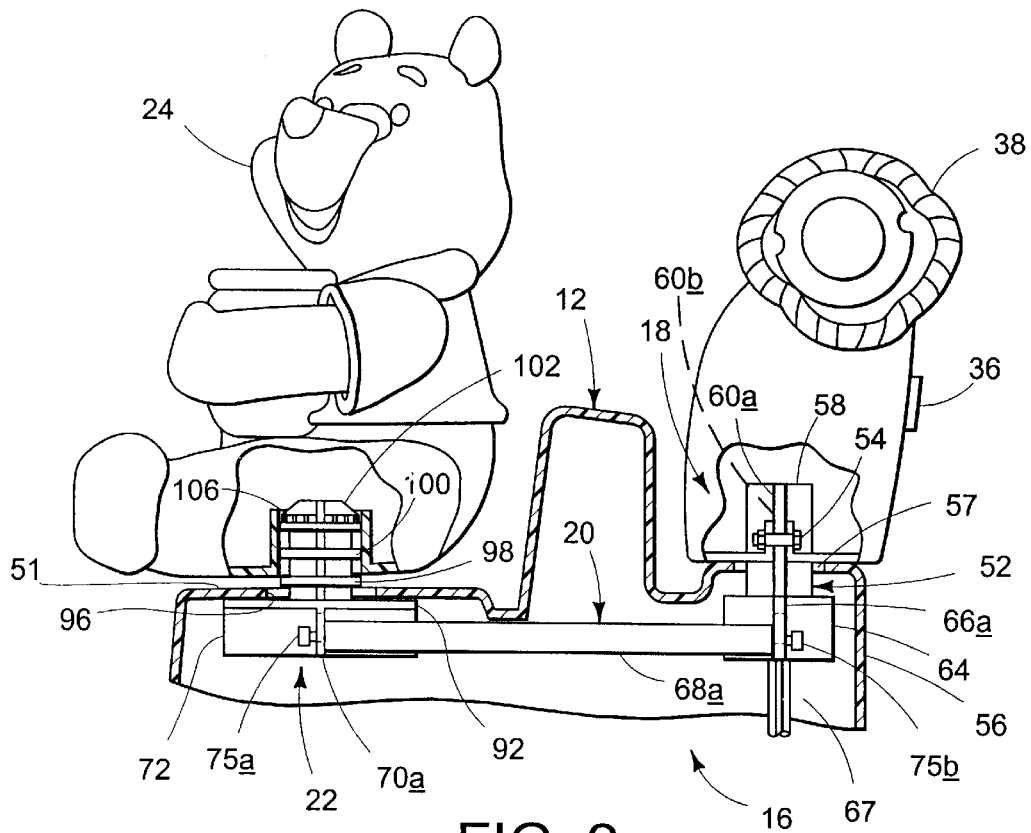
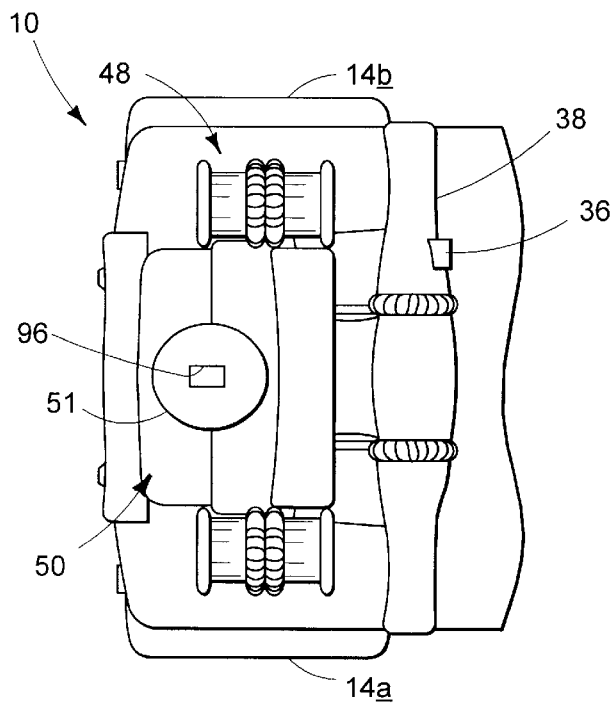
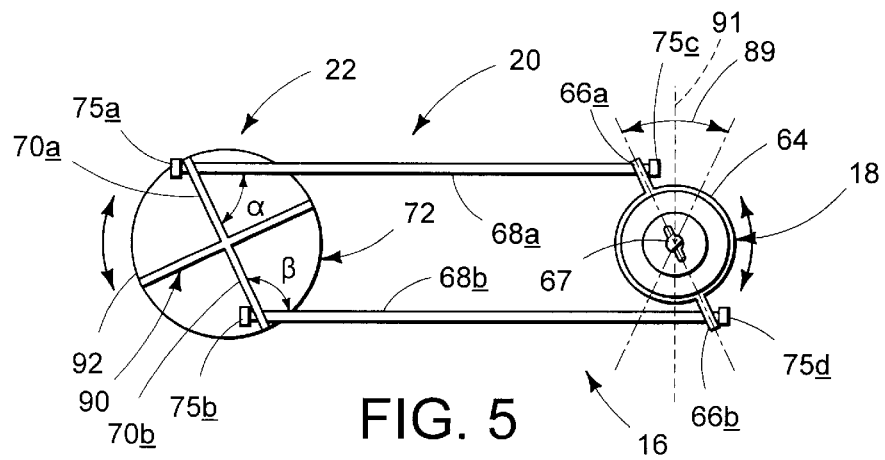
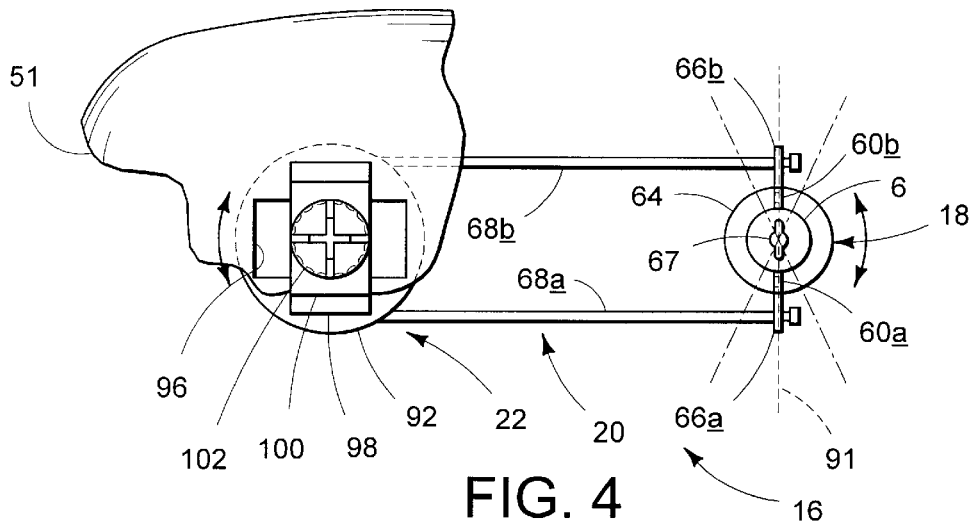


FIG. 1





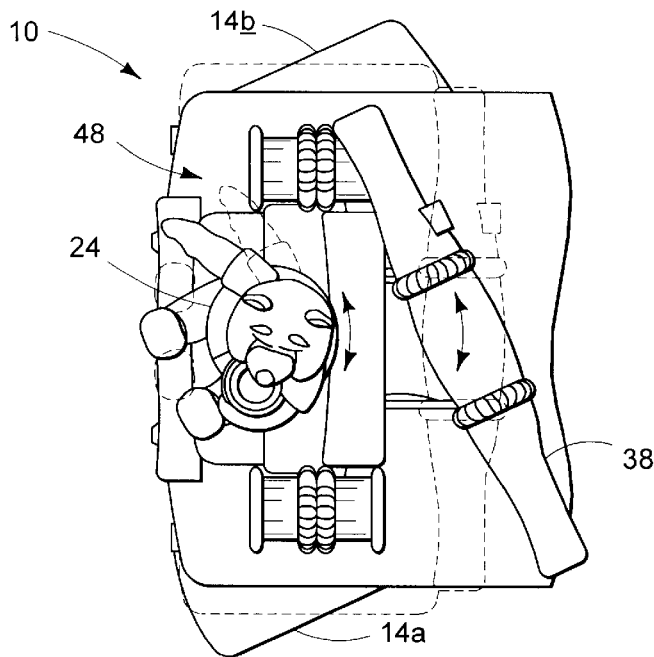


FIG. 7

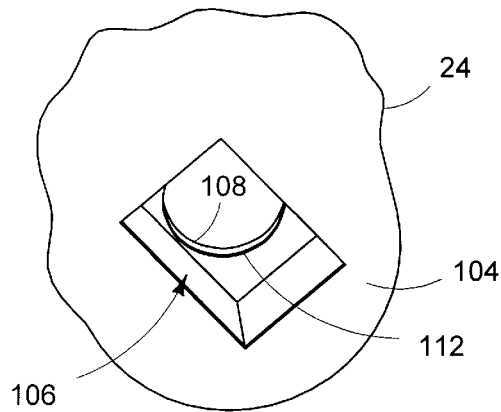


FIG. 8

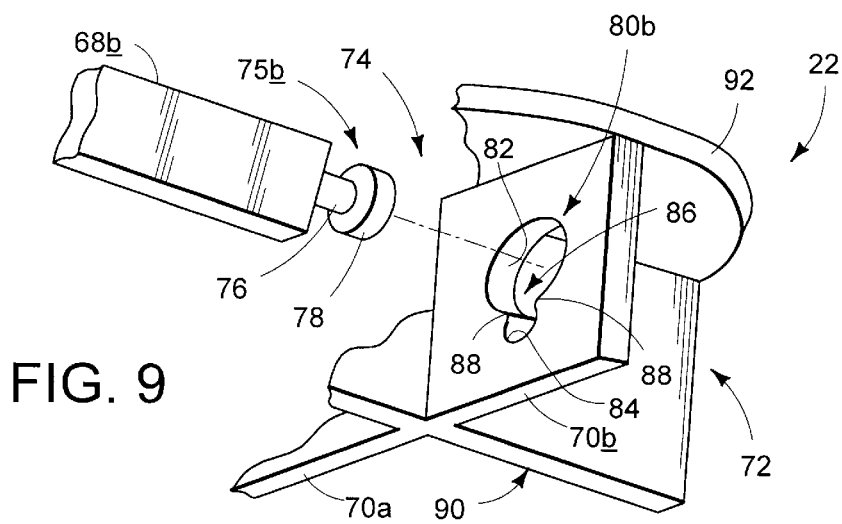


FIG. 9

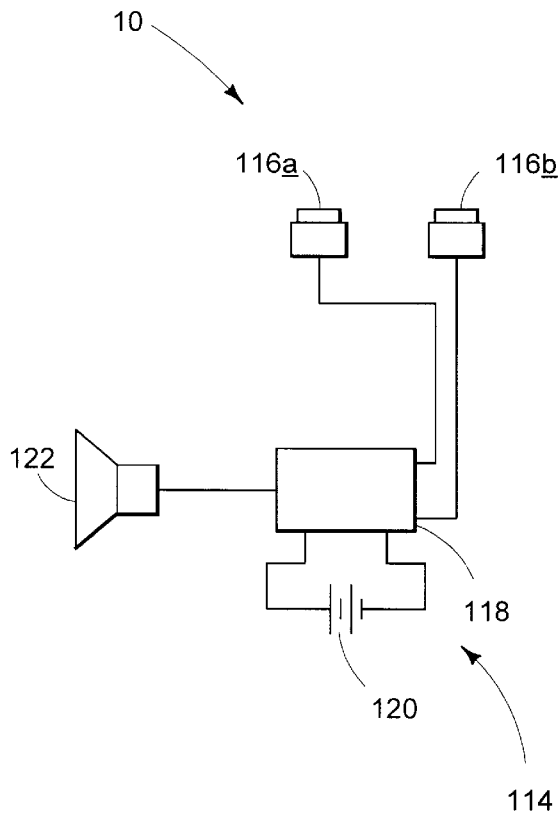


FIG. 10

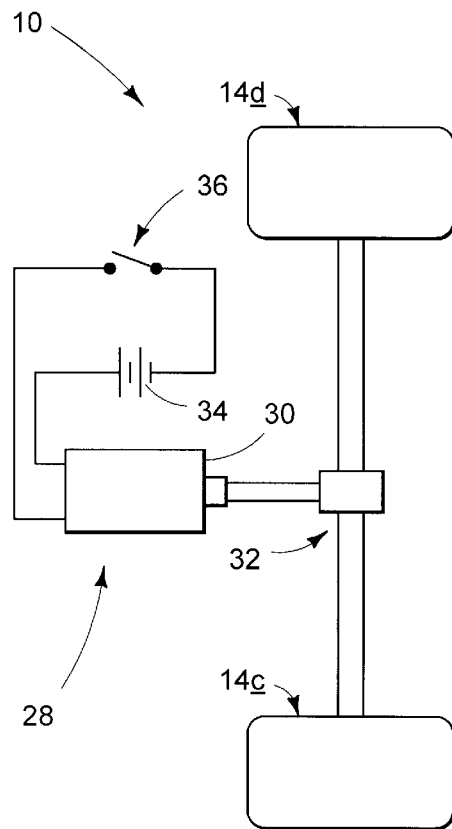


FIG. 11

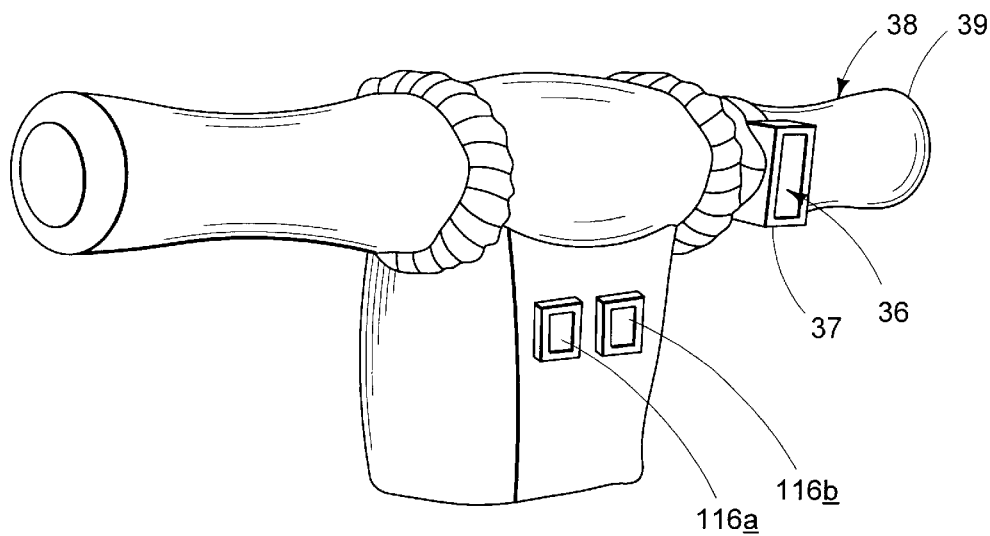


FIG. 12