



US00D491981S1

(12) **United States Design Patent**
Todd

(10) **Patent No.:** **US D491,981 S**
(45) **Date of Patent:** **** Jun. 22, 2004**

(54) **PRINTER**

(75) **Inventor:** **Douglas John Todd, Boise, ID (US)**

(73) **Assignee:** **Hewlett-Packard Development Company, L.P., Houston, TX (US)**

(**) **Term:** **14 Years**

(21) **Appl. No.:** **29/166,966**

(22) **Filed:** **Sep. 5, 2002**

(51) **LOC (7) Cl.** **14-02**

(52) **U.S. Cl.** **D18/55**

(58) **Field of Search** D18/50, 53-55,
D18/36-39; D14/420-425, 462-670; 400/613,
613.1-613.4, 691-694, 690.1, 690.4

(56) **References Cited**

U.S. PATENT DOCUMENTS

D327,907 S	*	7/1992	Sawa	D18/54
D343,414 S	*	1/1994	Tokuda et al.	D18/55
D378,300 S	*	3/1997	Ito	D18/55
D402,688 S	*	12/1998	Laidlaw	D18/53
D405,110 S	*	2/1999	Yamamoto et al.	D18/54

D413,141 S	*	8/1999	Matsumoto	D18/55
D423,562 S	*	4/2000	Kobayashi	D18/55
D430,596 S	*	9/2000	Shiozaki et al.	D18/54
D431,597 S	*	10/2000	Gasset	D18/55
D432,564 S	*	10/2000	Miyazawa	D18/54
D452,704 S	*	1/2002	Kobayashi	D18/55
D455,172 S	*	4/2002	Falk et al.	D18/55

* cited by examiner

Primary Examiner—Cathy Anne MacCormac

(57) **CLAIM**

The ornamental design for a printer, as shown and described.

DESCRIPTION

FIG. 1 is a right-front perspective view of a printer showing the new design;

FIG. 2 is a front view thereof;

FIG. 3 is a rear view thereof;

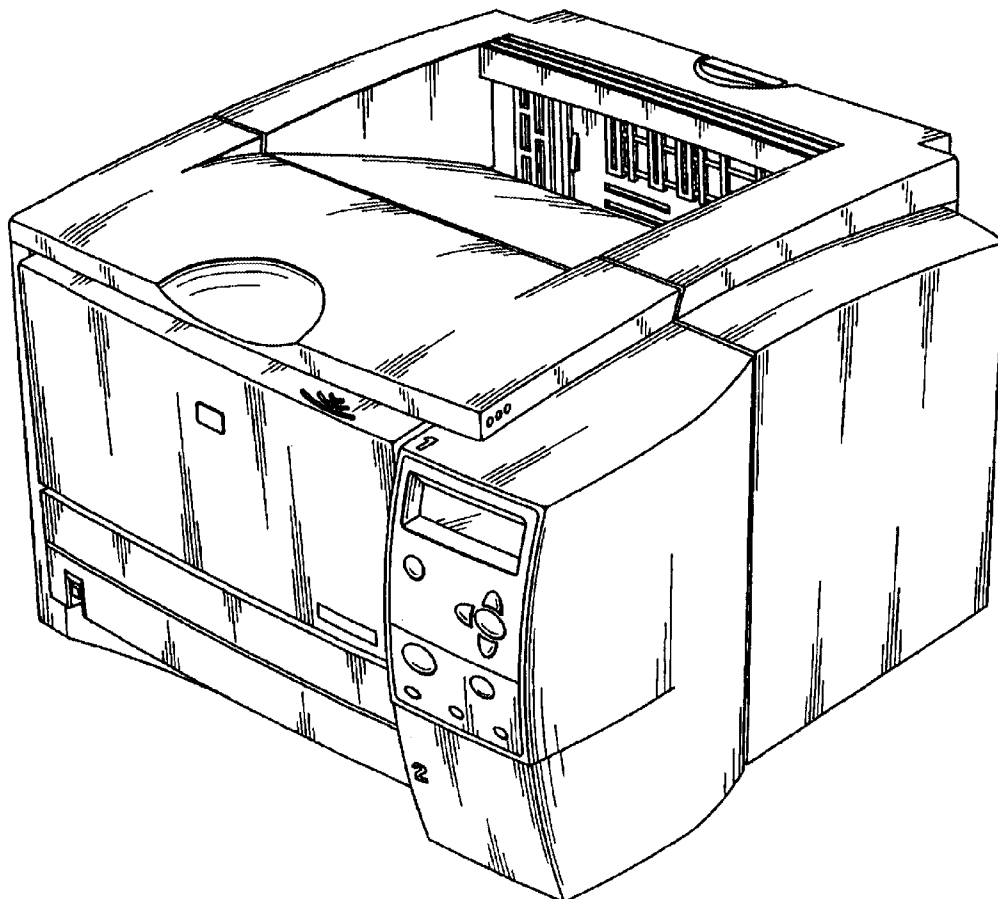
FIG. 4 is a left side view thereof;

FIG. 5 is a right side view thereof; and,

FIG. 6 is a top view thereof.

The broken lines in FIGS. 2, 3, 4, and 6 are for purposes of illustration only and form no part of the claimed invention.

1 Claim, 6 Drawing Sheets



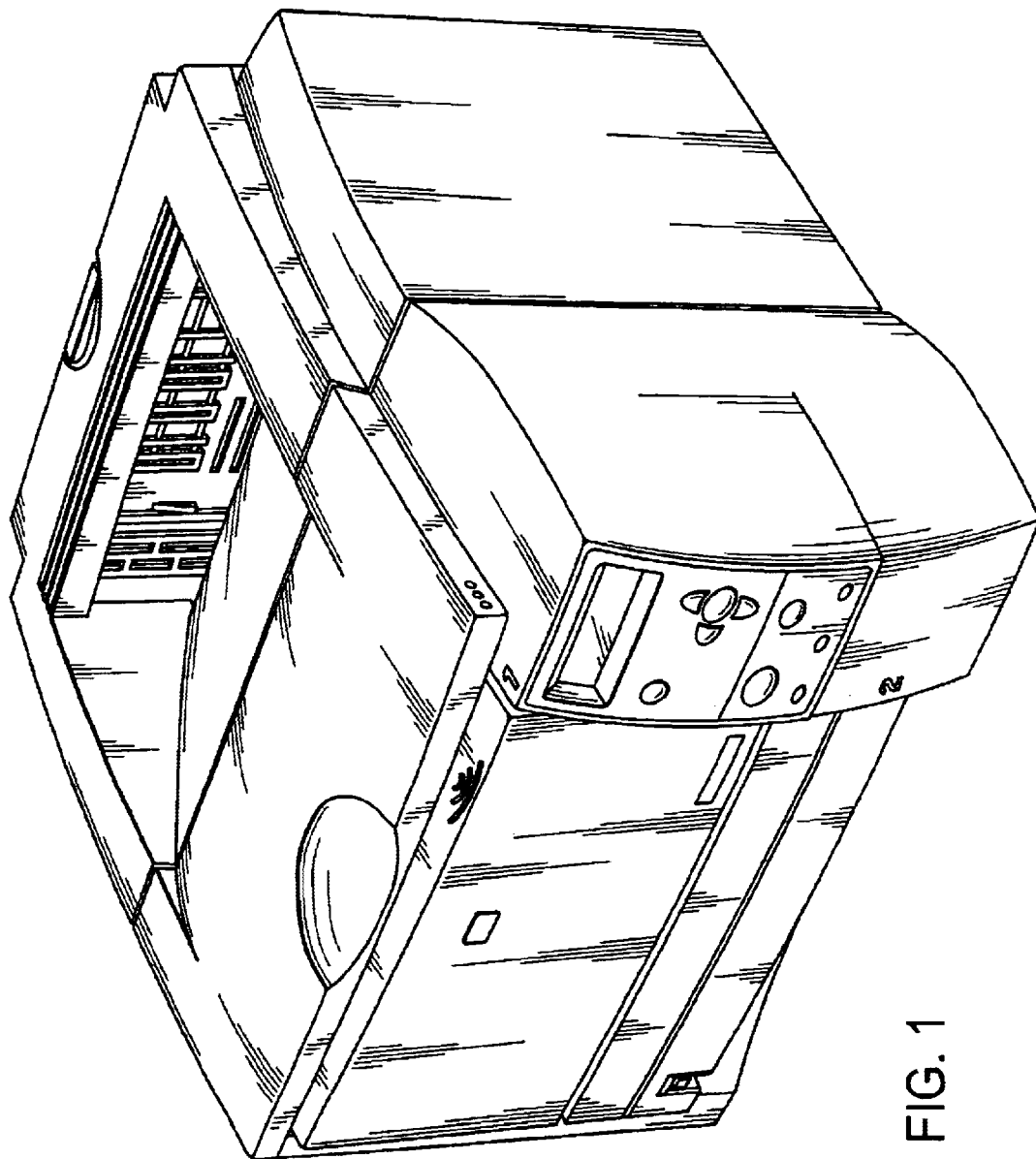


FIG. 1

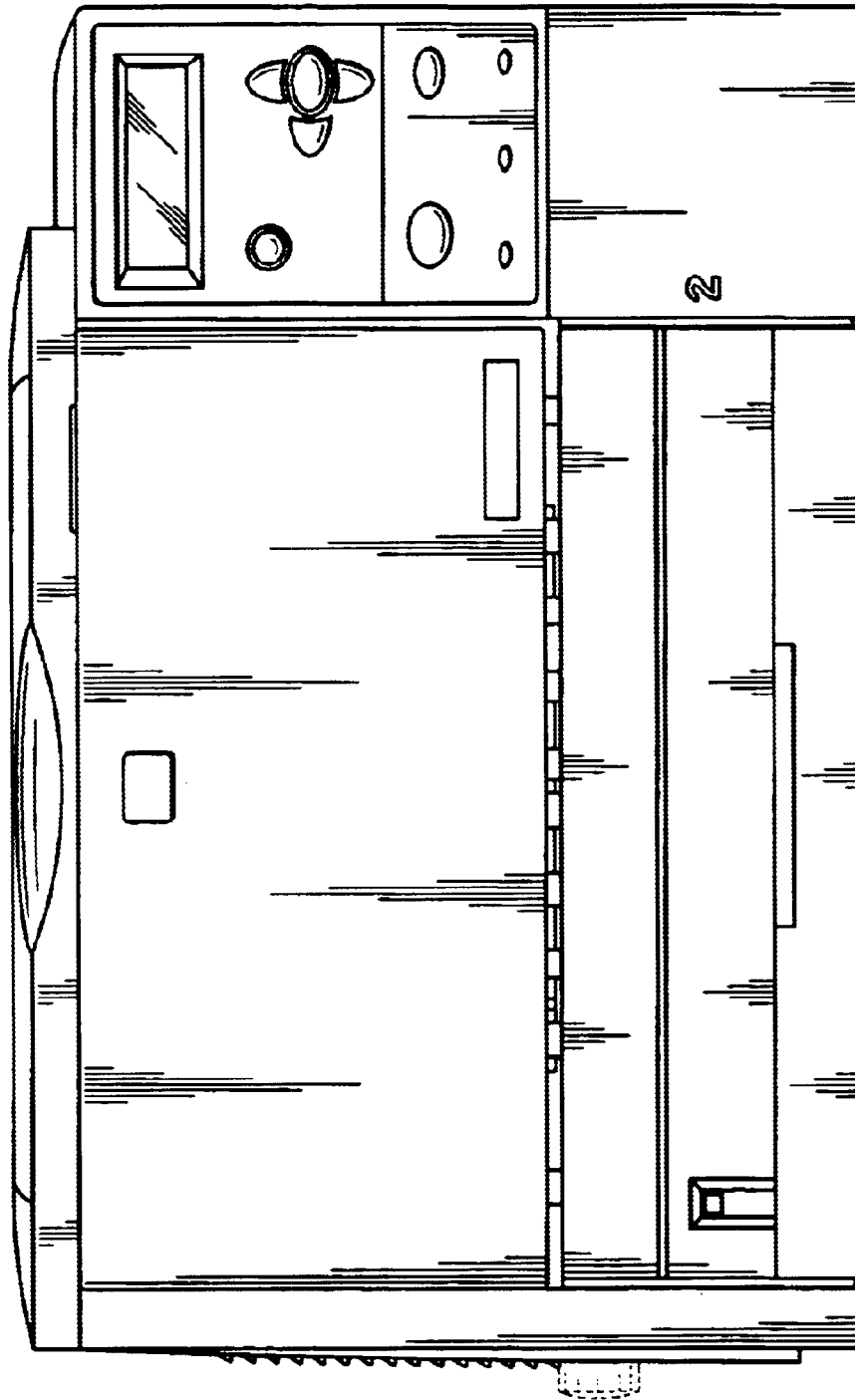


FIG. 2

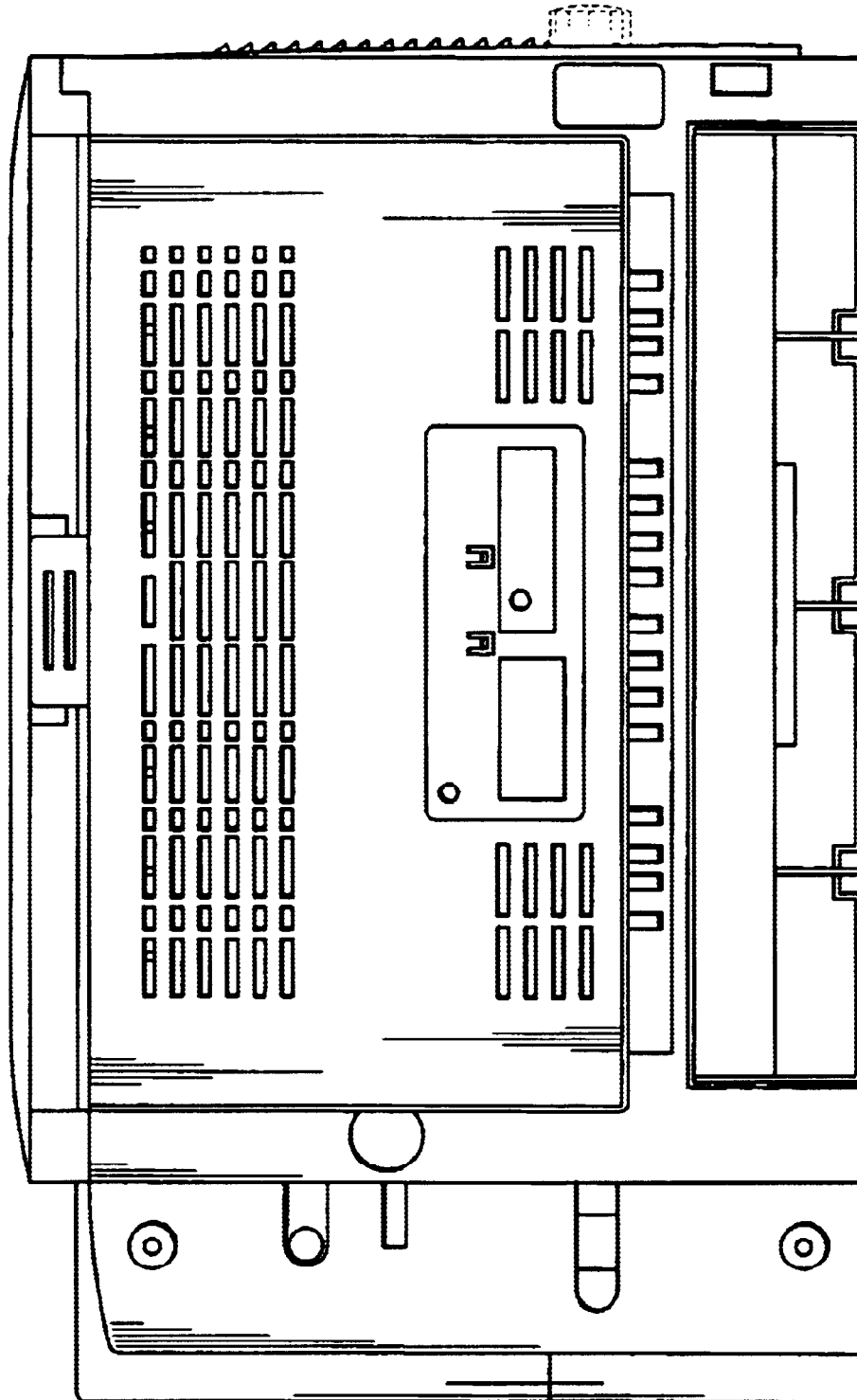


FIG. 3

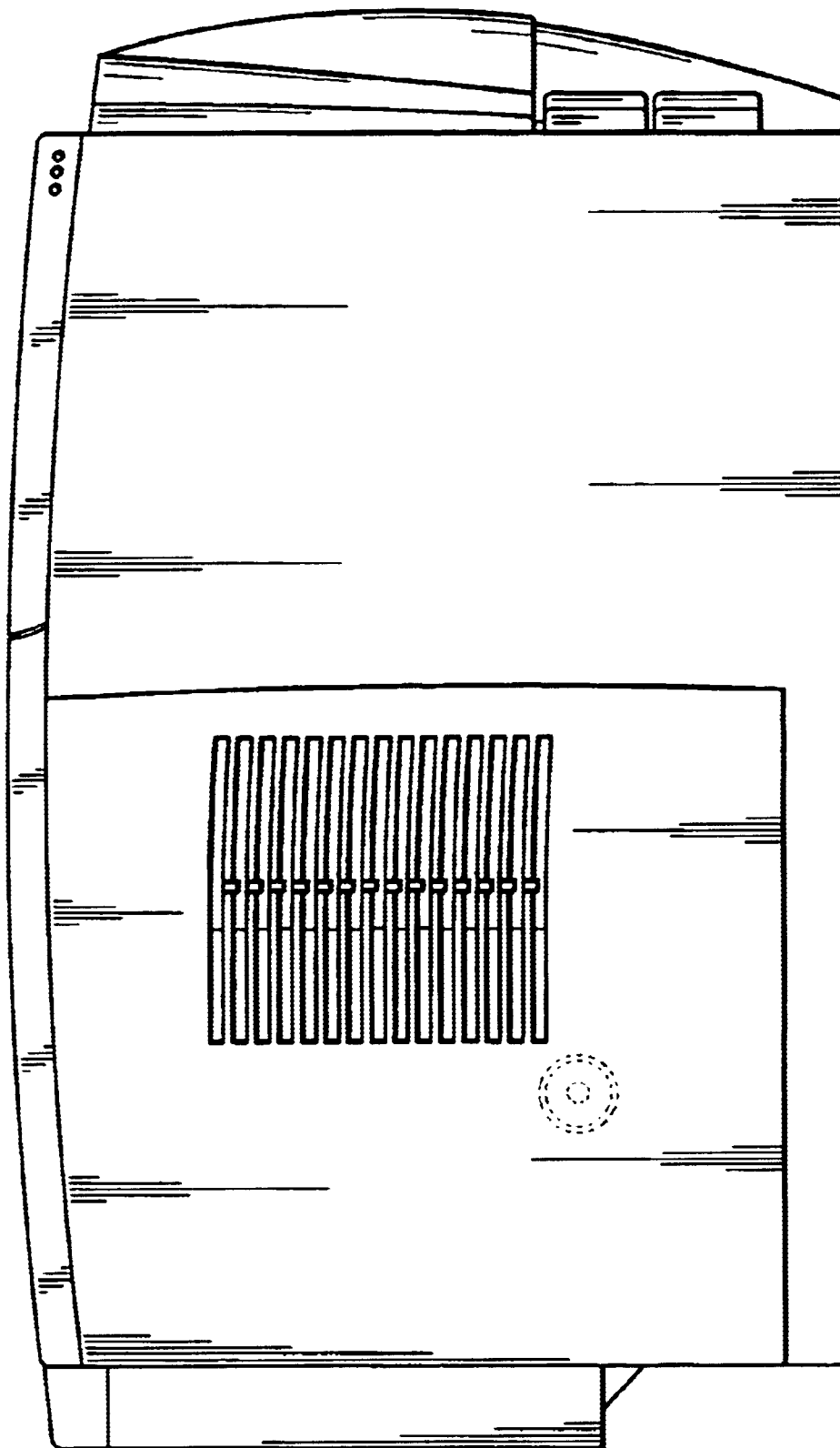


FIG. 4

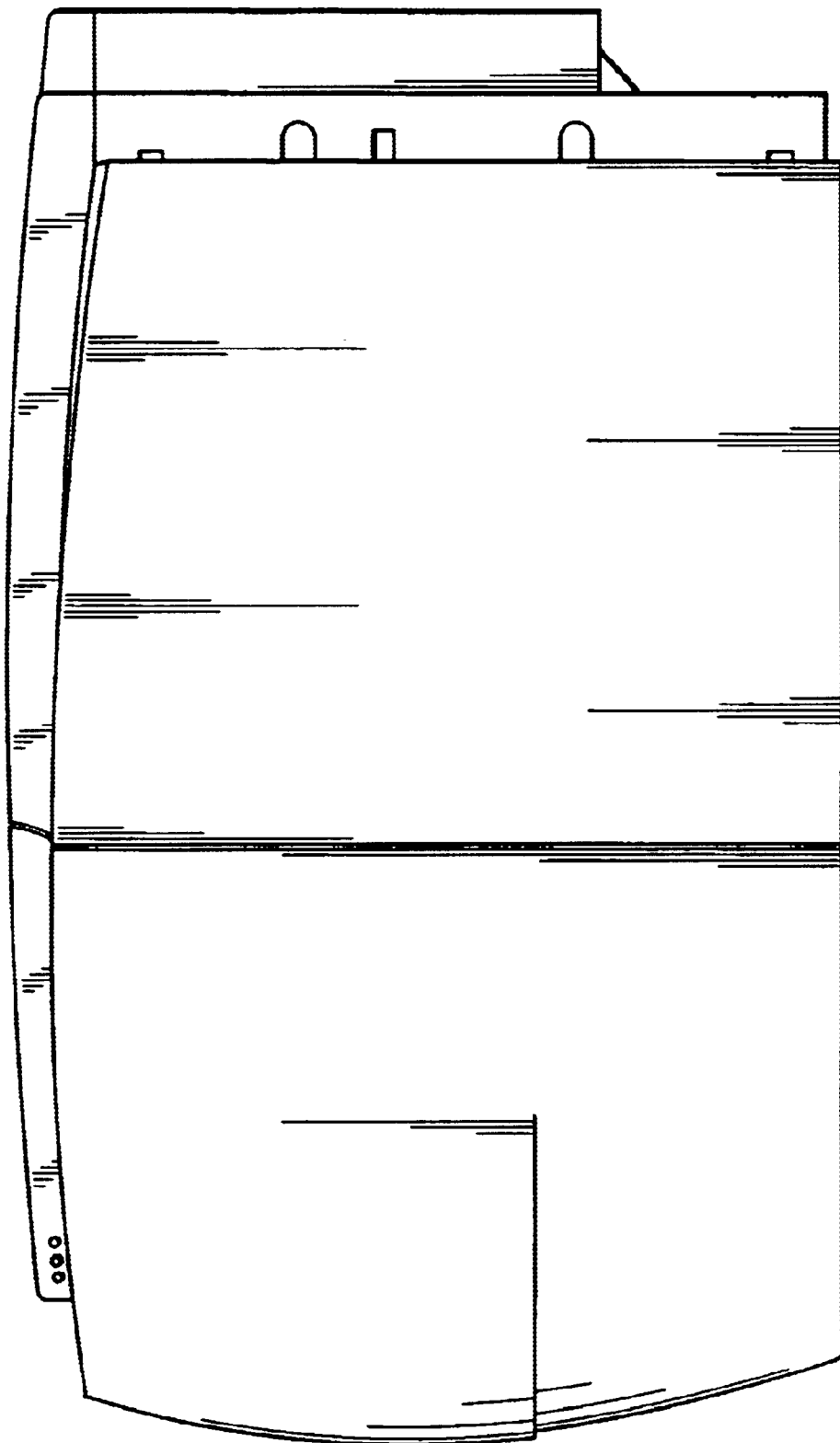


FIG. 5

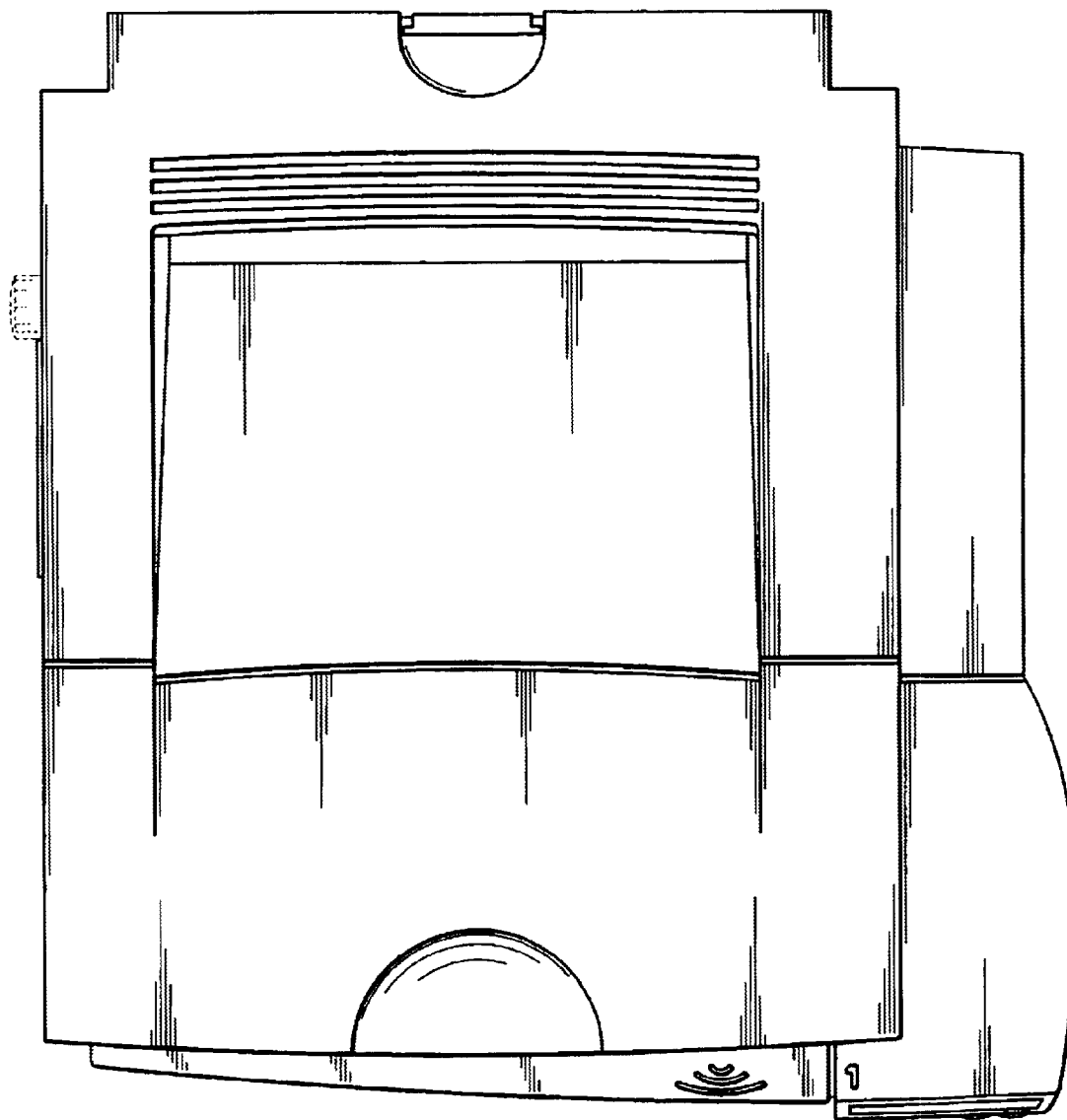


FIG. 6